

SuperCable® Polymer Iso-Elastic™ Cerclage

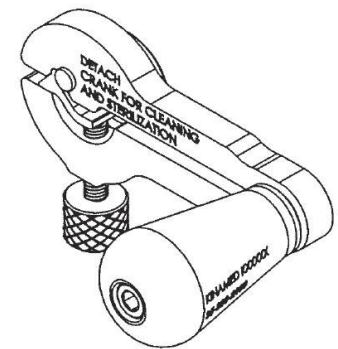


Tensioner Crank Handle



Crank shown assembled to a tensioner instrument

- Secures simply to all existing SuperCable tensioners in seconds
- Ergonomic design eases and speeds cable tensioning
- Facilitates torque gauge monitoring for proper tension
- Designed to easily detach for cleaning and sterilization



Catalog No.	Description
35-800-2100	Tensioner Crank Handle

Click or scan code for assembly and use instructions



KINAMED®
INCORPORATED

Quality Care. Clinically Proven.

For more information or to schedule an evaluation, contact us at:
800-827-5775 | 805-384-2748 | www.kinamed.com

